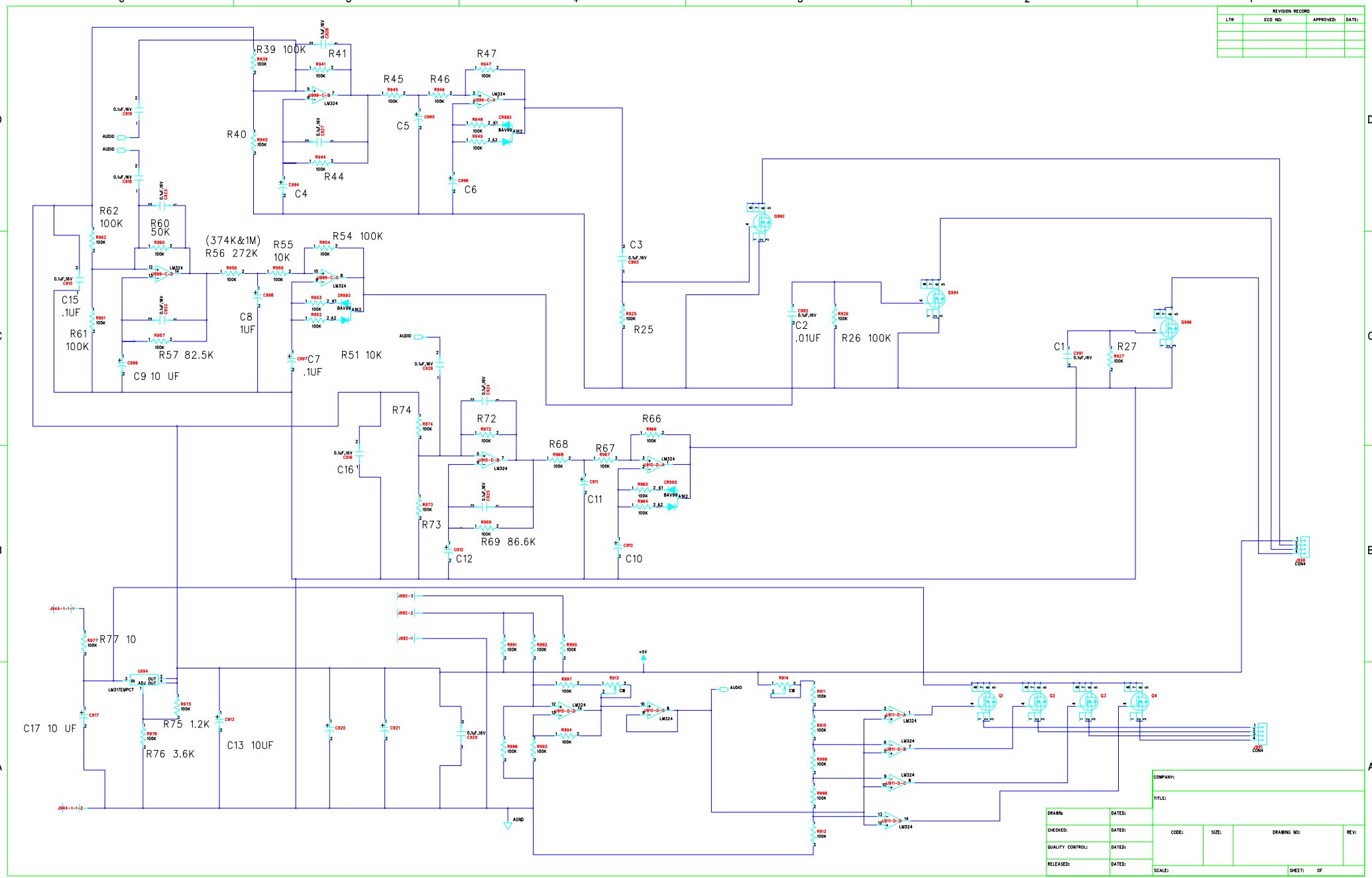


REVISION RECORD			
LTR	EGG NO.	APPROVED:	DATE:



COMPANY:		TITLE:	
DRAWN:	DATE:	CODE:	SIZE:
CHECKED:	DATE:	DRAWING NO.:	REV.:
QUALITY CONTROL:	DATE:	SCALE:	SHEET: OF
RELEASED:	DATE:		