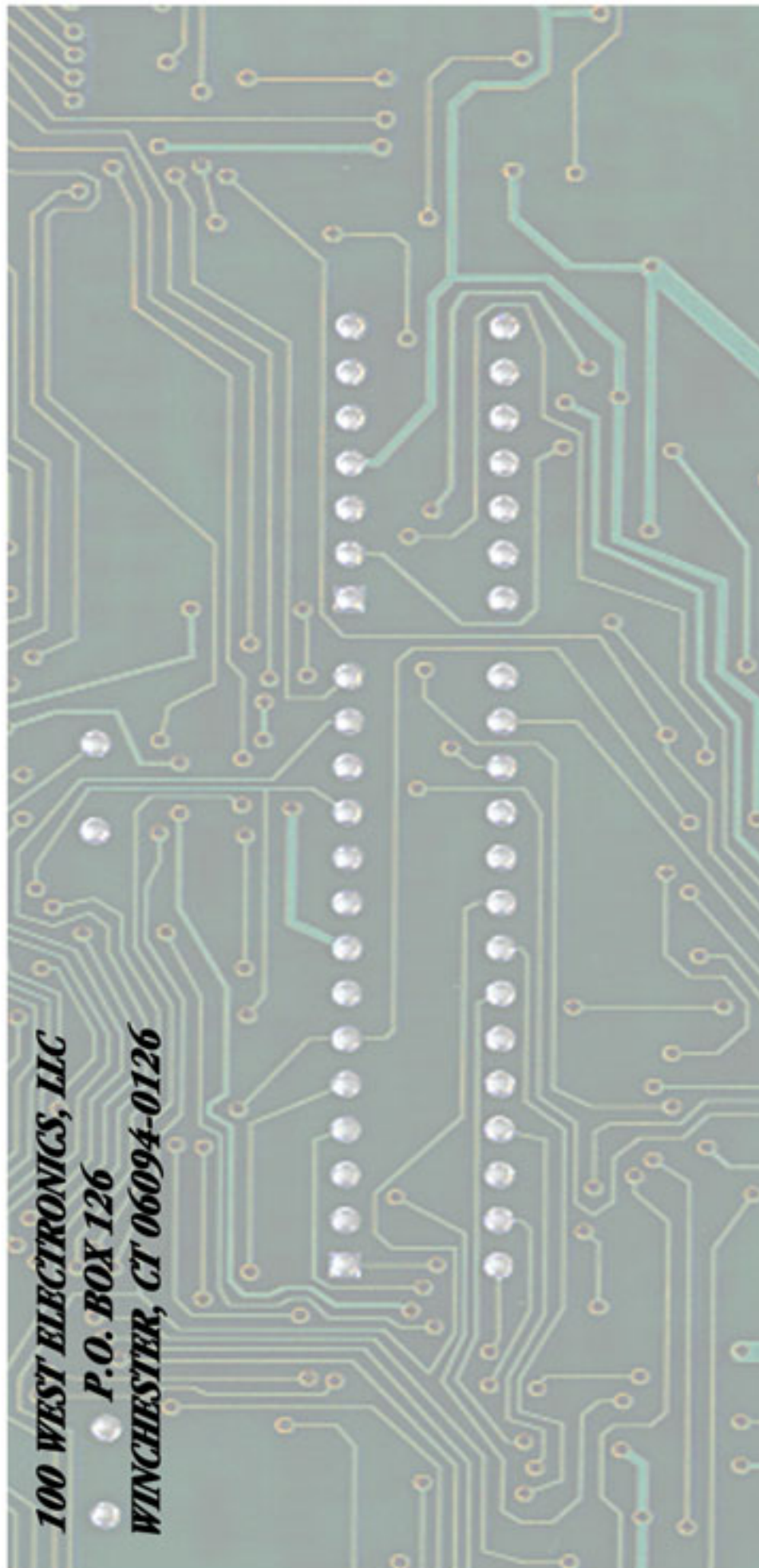
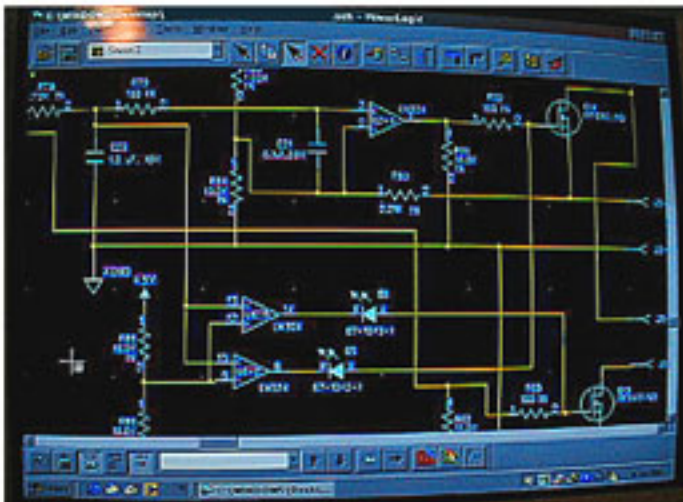


***IS YOUR  
BUSINESS  
LOSING  
CUSTOMERS?***

***LET***



***FREE YOU FROM  
YOUR DESIGN  
DILEMMAS.***



***100 WEST ELECTRONICS, LLC  
P.O. BOX 126  
WINCHESTER, CT 06094-0126***



***PLUS***

***YOUR  
PRODUCT***

***EQUALS***

***INCREASED  
PROFITS!***

